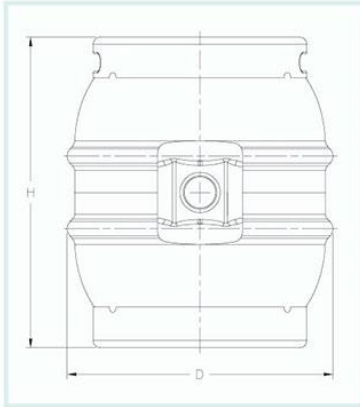


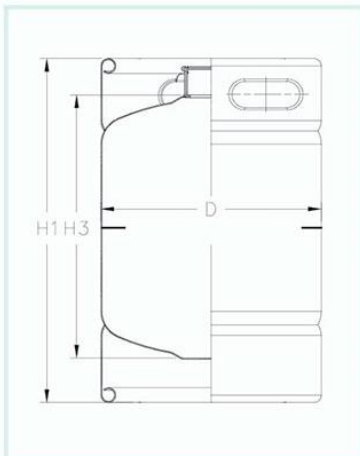


Gallon Cask Series



Specifications			
Capacity	9 Gallon	9 Gallon(New)	18 Gallon
Height	478mm/484mm	464mm	612mm
External Diameter	408mm	408mm	503mm
Standard Thickness	1.5/2.0mm	1.5/2.0mm	1.5/2.4mm
装柜 参考数 (裸装)	20GP	390	182
	40GP	800	384
	40HQ	940	432

Other Series



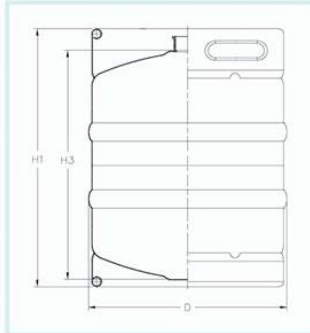
Specifications		
Capacity	10L	2 Gallon
Height	368mm	275
External Diameter	235mm	235
H3	281.5mm	217.5mm
Standard Thickness	1.2/1.5	1.2/1.5



Folks Group

Incorporando Soluções

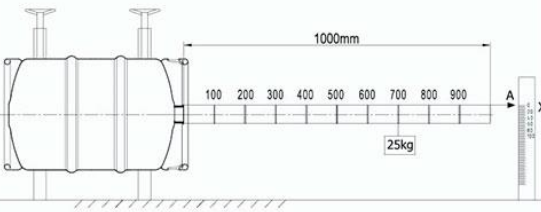
一、Keg Parameters



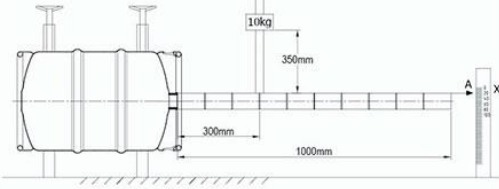
Volume	20L	30L	50L
H1	287 ± 2mm	365 ± 2mm	532 ± 2mm
D	395 ± 2mm	408 ± 2mm	408 ± 2mm
H3	219 ± 2mm	296 ± 2mm	461 ± 2mm
Loading Quantity (loose)	20GP	672	330
	40GP	1430	692
	40HQ	1610	860
Note	Available options: burst disc, RFID tagging, embossing, stamping, painting, silk-screening, bar-coding, etc. Based on request, each keg can be either stackable or unstackable.		

二、Keg Performance Index

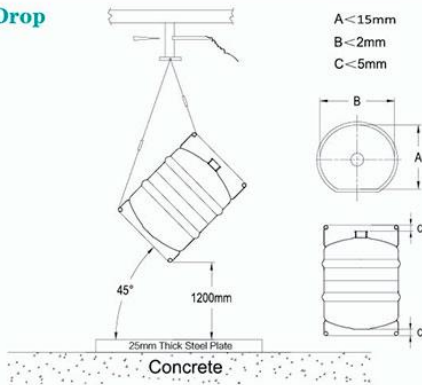
Static Deflection of the Neck



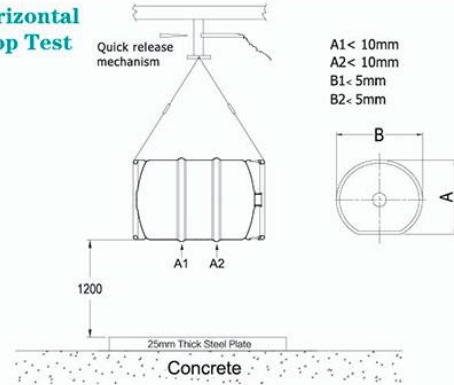
Dynamic Deflection of the Neck



45° Drop Test



Horizontal Drop Test



Volume	Chime Thickness	Tensile Strength	45° Drop Test			Horizontal Drop Test				Static Deflection of the Neck	Dynamic Deflection of the Neck		
			General Spec	A ≤ 18mm	B ≤ 2mm	C ≤ 5mm	General Spec	A1 ≤ 10mm	A2 ≤ 10mm			B1 ≤ 5mm	B2 ≤ 5mm
			Internal Spec	A ≤ 12mm	B ≤ 2mm	C ≤ 3mm	Internal Spec	A1 ≤ 8mm	A2 ≤ 8mm			B1 ≤ 3mm	B2 ≤ 3mm
20L	1.5/1.5	950-1050	Actual Results	≤ 11.7	≤ 1.6	≤ 1.8	Actual Results	≤ 7.8	≤ 7.8	≤ 1.8	≤ 1.8	≤ 6.5	≤ 24.5
30L	1.8/1.8	950-1050		≤ 11.6	≤ 1.5	≤ 1.5		≤ 7.0	≤ 7.0	≤ 1.8	≤ 1.8	≤ 5.5	≤ 23
50L	2.0/2.0	950-1050		≤ 10.2	≤ 1.8	≤ 1.8		≤ 6.5	≤ 6.5	≤ 1.8	≤ 1.8	≤ 5.0	≤ 22.5